

Mustang® Joule-Thomson Regulator

MJTR



ADJUSTING SCREW
W/ LOCK NUT

MULTI-STAGE REGULATOR

Analytically Accurate® Technology

The Mustang® Joule-Thomson Regulator MJTR is a four-stage pressure regulator designed to compensate for Joule-Thomson cooling during sample extraction. With a ratio controlled multi-piston design, the MJTR ensures the first three stages are always functional, even with fluctuations to the inlet pressure.

The MJTR can be utilized in any application requiring multi-stage pressure regulation for sample conditioning and calibration gas cylinders. A MJTR, located downstream of a sample probe, permits a 4-stage reduction in pressure without distorting the composition of a vapor sample.

When used in combination with insertion probes, the MJTR is the most practical means for conforming to the API 14.1 and GPA 2166 standards.

- ▶ CRN Approved
- ▶ Offsets Joule-Thomson cooling
- ▶ Low internal volume
- ▶ No dead volume
- ▶ First three stages ratio controlled
- ▶ Adjustable outlet pressure
- ▶ Aids in compliance with API 14.1 and GPA 2166 standards
- ▶ All stages of regulation functional regardless of inlet pressure fluctuations
- ▶ Optional heated assembly (see MJTHRHP brochure)

PRODUCT DIMENSIONS

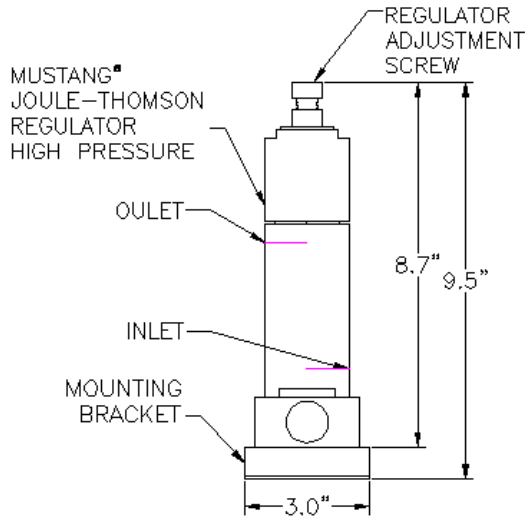


Fig. 1a—Side View

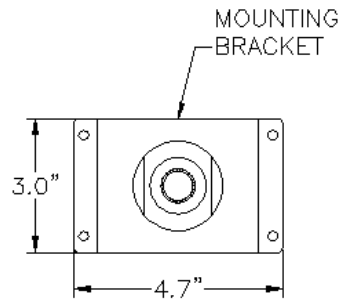


Fig. 1b—Top View

PRODUCT SPECIFICATIONS

Maximum allowable working pressure	6000 psig (414 bar)
Temperature range	-40°F-400°F (500°F w/ Kalrez) [-40°C-150°C (260°C w/ Kalrez)]
Port sizes	1/4" female NPT
Outlet pressure range	0-10, 0-25, 0-50, 0-100, 0-250, or 0-500 psig (0-0.69, 0-1.72, 0-3.45, 0-6.89, 0-17.24, or 0-34.47 bar)
Wetted materials	Machined parts: 316 stainless steel/NACE compliant All other metal parts: stainless steel/NACE compliant O-ring: James Walker Optional: Viton®/Kalrez (other materials available upon request)



Mustang Sampling®

info@mustangsampling.com
www.mustangsampling.com

P 304-273-5357
F 304-273-2531
P.O. Box 490
Ravenswood, WV 26164



Locally Represented By: