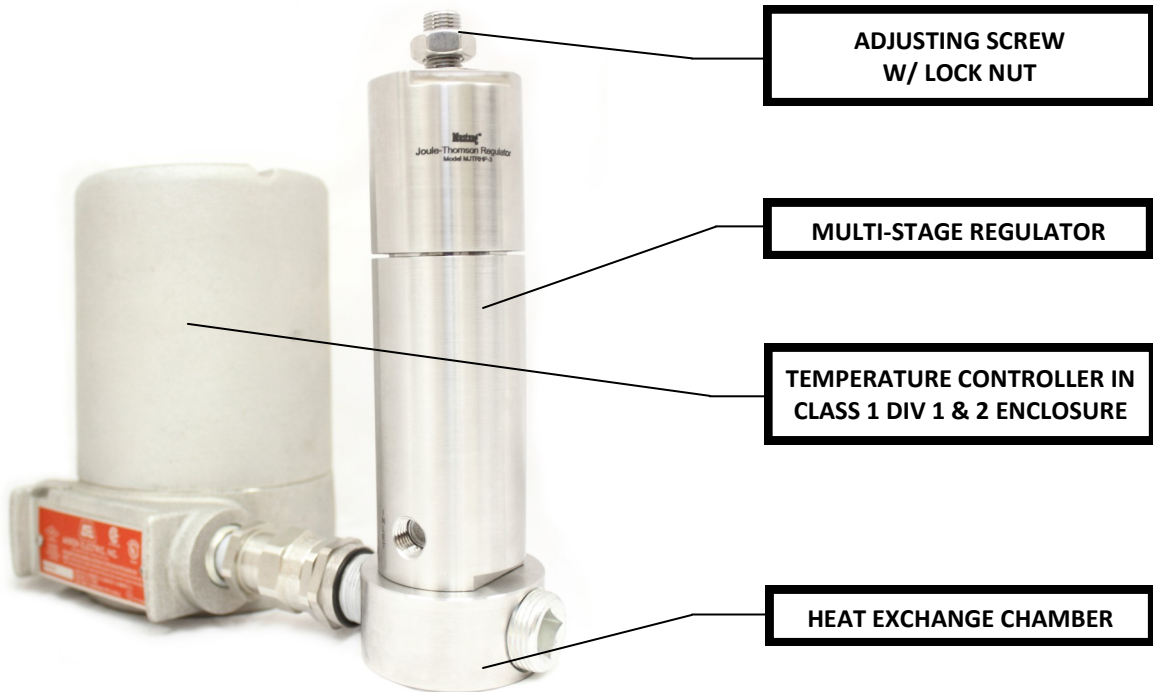


# Analytically Accurate®

**MJTHR-I**



## Mustang® Joule-Thomson Heated Regulator

The High Pressure Mustang® Joule-Thomson Heated Regulator (MJTHR ATEX/IEC Ex Design) is a four-stage pressure regulator designed to compensate for Joule-Thomson cooling during sample extraction. With a ratio controlled multi-piston design, the MJTR ensures the first three stages are always functional, even with fluctuations to inlet pressure.

A MJTHR, located downstream of a sample probe, permits a 4-stage pressure reduction without distorting the composition of a vapor sample. Gas sample integrity is maintained by heating it to at least 30°F above the expected hydrocarbon dew point.

When used in combination with insertion probes, the MJTHR is the most practical means for conforming to the API 14.1 and GPA 2166 standards.

- ▶ Offsets Joule-Thomson cooling
- ▶ Provides continuous gas sample conditioning in any process industry
- ▶ Protects analyzers & helps preserve sample integrity
- ▶ Proportional temperature control
- ▶ Thermal cutoff
- ▶ Contact us to determine heated and supercritical application needs with our Equations of State software

# PRODUCT DIMENSIONS

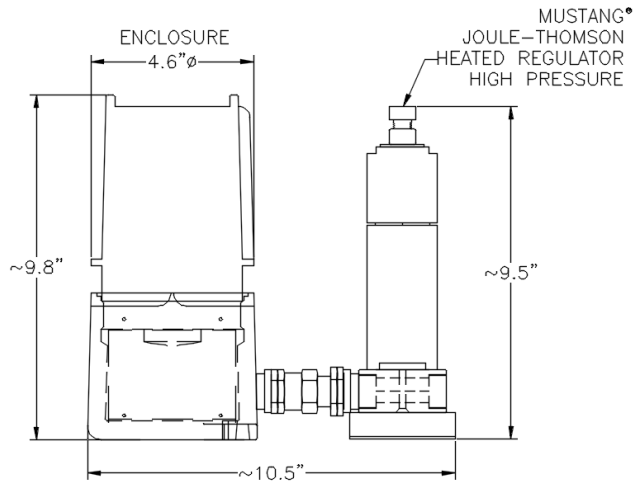


Fig. 1a—Side View

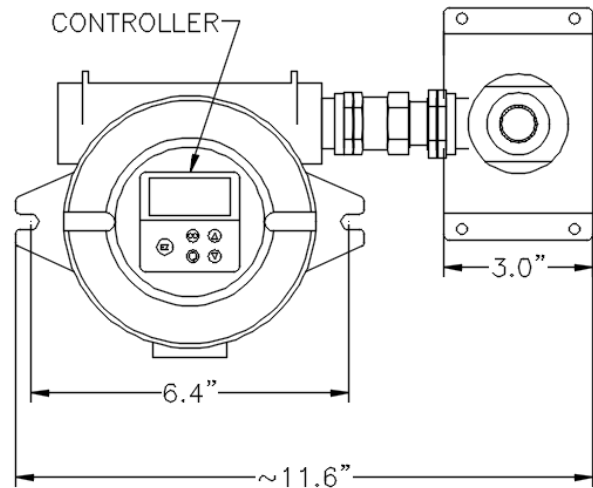


Fig. 1b—Top View

# PRODUCT SPECIFICATIONS

<b>Maximum allowable working pressure</b>	6000 psig (414 bar)
<b>Temperature range</b>	-15°F (-26°C) to 300°F (149°F)
<b>Outlet pressure range</b>	0-10, 0-25, 0-50, 0-100, 0-250, or 0-500 psig (0-0.69, 0-1.72, 0-3.45, 0-6.89, 0-17.24, or 0-34.47 bar)
<b>Thermal cut-off</b>	Normally opens at 230°F (110°C) (other ranges available upon request)
<b>Internal volume</b>	5 cc
<b>Cv Coefficient</b>	0.02
<b>Port sizes</b>	1/4" female NPT
<b>Conduit connection</b>	3/4" female NPT
<b>Electrical enclosure classification</b>	Class 1, Div 1 & 2, Groups B, C, D
<b>Power rating options</b>	115 VAC, 200 Watts, 50/60 Hz, ± 10% 208 VAC, 200 Watts, 50/60 Hz, ± 10% 230 VAC, 200 Watts, 50/60 Hz, ± 10% 24 VDC, 140 Watts
<b>Wetted materials</b>	Machined parts: 316 stainless steel/NACE compliant All other metal parts: stainless steel/NACE compliant O-ring: James Walker. Optional Viton®/Kalrez (other materials available upon request)



**Mustang Sampling®**

info@mustangsampling.com  
www.mustangsampling.com

P 304-273-5357  
F 304-273-2531  
P.O. Box 490  
Ravenswood, WV 26164



Locally Represented By: