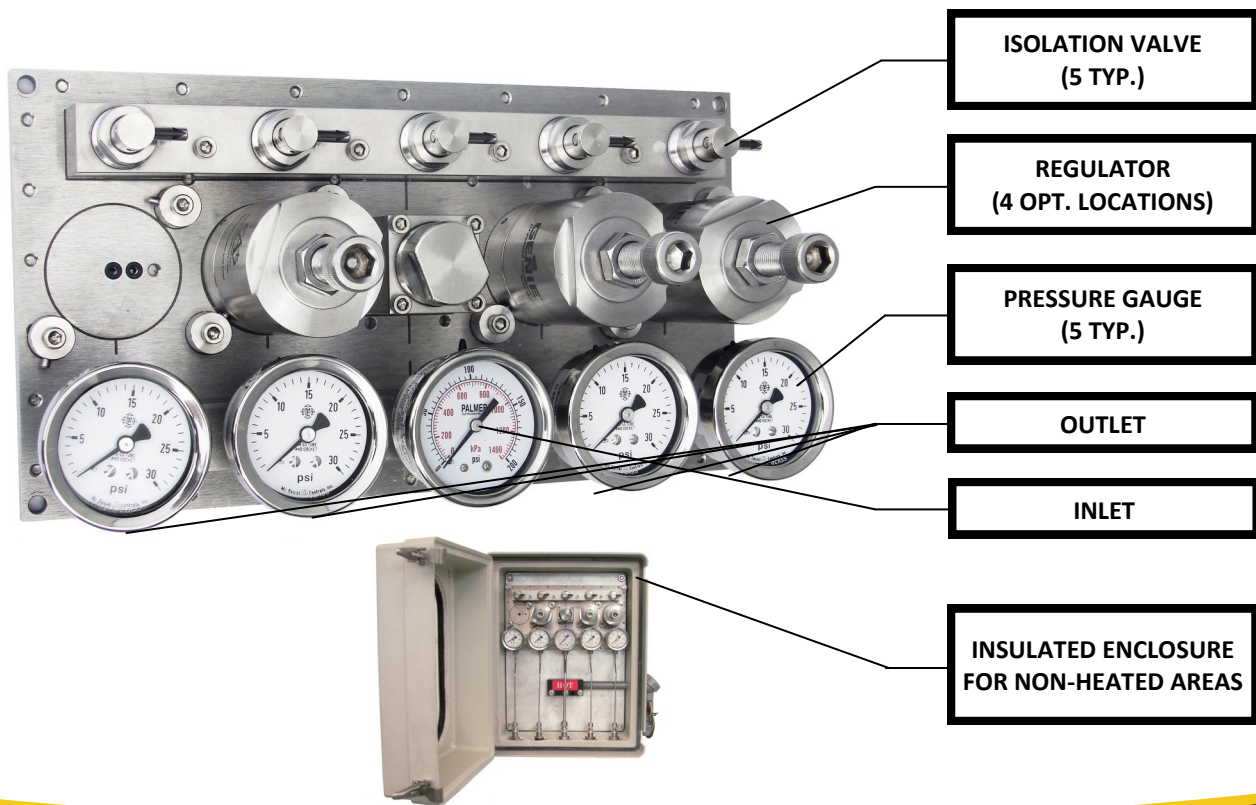


# Mustang® Modular Analyzer Distribution Panel

**MMADP**



## Analytically Accurate® Technology

The Mustang® Modular Analyzer Distribution Panel accepts a single inlet pressure delivering it to four separate output locations.

Pressures are individually isolated so that activation of one device does not affect pressures of other devices.

The modular design provides easy maintenance when replacement is needed. Optional insulated enclosure provides protection of the device while the modular design allows for a compact unit with easy maintenance when replacement is needed.

- ▶ Modular design securely fits inside a heated cabinet with easy maintenance
- ▶ Single inlet pressure delivers to 4 locations
- ▶ Individually isolated outlet pressure
- ▶ When installing in a non-heated area, Class 1, Div 1, Group D heated insulated enclosure required

## PRODUCT DIMENSIONS

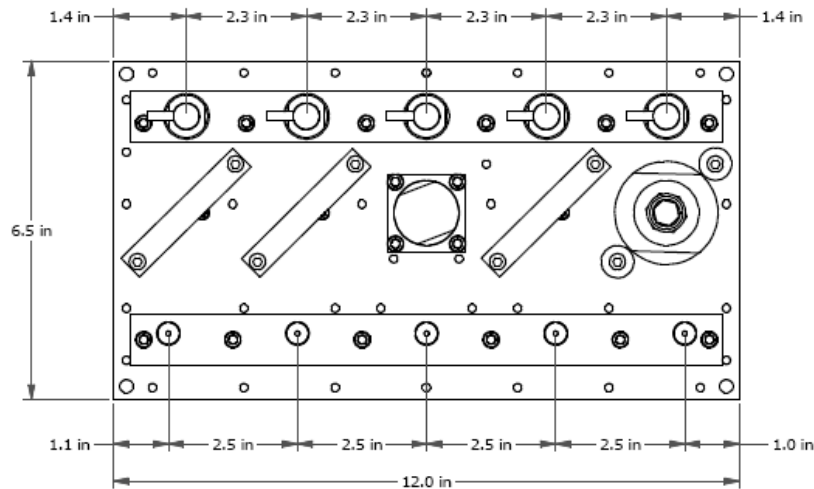


Fig. 1a—Top View

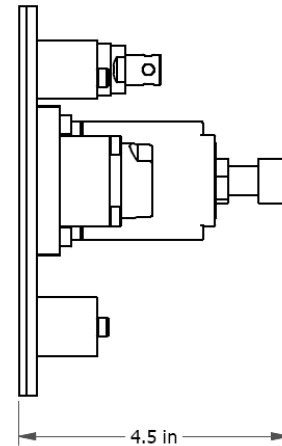


Fig. 1b—Left Side View

## PRODUCT SPECIFICATIONS

Maximum Allowable Operating Pressure	200 psig (14 BAR)
Temperature Range	225°F (107°C)
Port Sizes	1/8" Female NPT
Outlet Pressure Range	0-10, 0-25, 0-50, 0-100, psig (0-0.69, 0-1.72, 0-3.45, OR 0-6.89, bar)
Wetted Materials	Machined parts: 316 stainless steel/NACE compliant All other metal parts: stainless steel/NACE compliant O-ring: Neoprene

## HEATED ENCLOSURE SPECIFICATIONS (SOLD SEPARATELY)

Electrical enclosure classification	Class 1, Div 1, Group D
AC Power	120 VAC/240 VAC/24 VDC
Heating Components	50 watt self-limiting block heater
Maintains Sample Gas	98°F (37°C)
Cabinet Construction	Hotpressed Glass Fiber Reinforced Polyester



**Mustang Sampling®**

info@mustangsampling.com  
www.mustangsampling.com

P 304-273-5357  
F 304-273-2531  
P.O. Box 490  
Ravenswood, WV 26164



Locally Represented By: