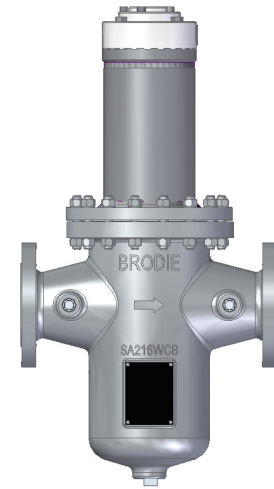


SC Air Eliminator Option

AVAILABLE FOR BSBS SIZES 3"-6"



General

The SC Air Eliminator can be mounted to the cover of BCBS strainers to allow for venting of unwanted gasses and vapors. The air eliminator is designed to work in every condition the BCBS is designed for. The body is made of a stainless steel construction to reach a minimum working temperature of -50 F

Design Features

- Low maintenance
- NPT connection for venting
- Removes entrapped air from process fluid

Materials of Construction

- Housings: Stainless Steel ASTM 479 GR 304
- Mounting Hex Bolt:

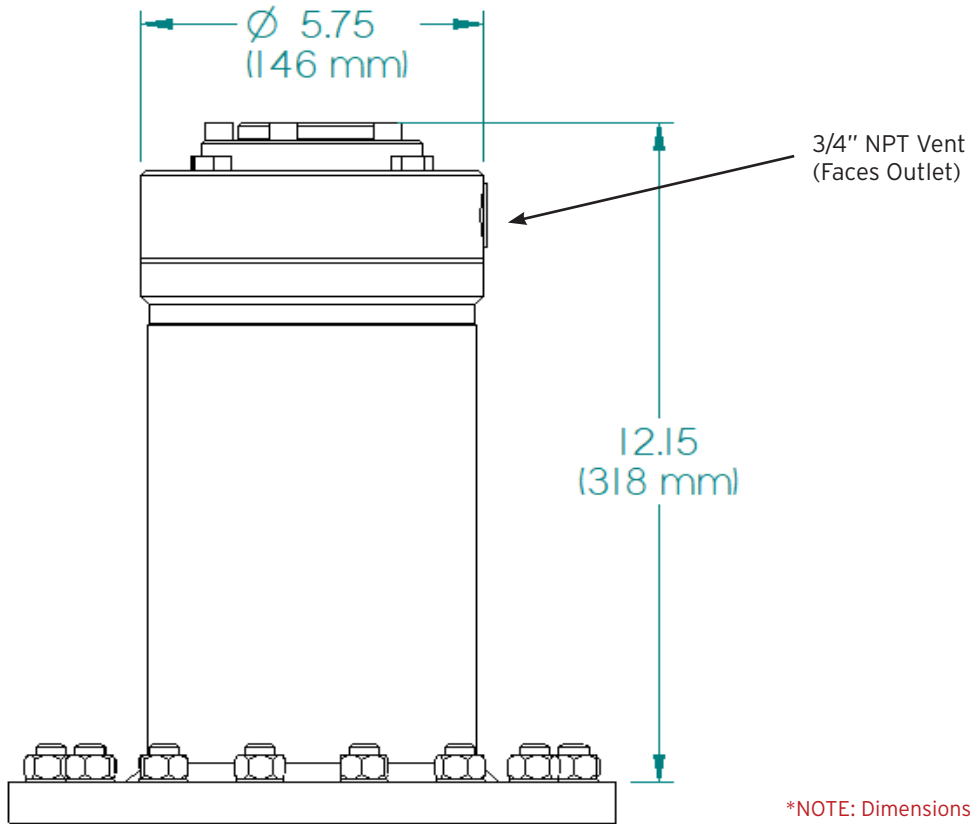
Standard Temperature	Low Temperature
A449 GR5	A320 G8

- ECO (Epichlorohydrin) or FFKM (Perfluoroelastomer) gaskets and o-rings

Specifications

- Maximum Working Pressure dependant on float size.
Regular float: 265 PSIG (1827 kPa) at 100°F (38°C)
Heavy duty float: 698 PSIG (4812 kPa) at 100°F (38°C)
- Body designed in accordance with ASME BPVC 8.1
- 3/4" Vent Size
- NACE MR0175/ISO 15156 Compliant

150# Strainer Dimensions for 3" & 4" Cast Body Strainer



*NOTE: Dimensions are the same for all strainer sizes. For Dimensional Drawings, Consult Factory

SC Air Eliminator Data

Air Release Rate of SC Air Eliminators

