



## Mustang<sup>®</sup> Modular Analyzer Distribution Panel

MMADP<sup>®</sup>

The Mustang Modular Analyzer Distribution Panel (MMADP) supplies up to four different analyzers with low pressure gas samples from a single source. This eliminates the need for multiple sample points and reduces the cost of required sampling devices. The individual sample streams are independent of one another and eliminate the chance of active streams being effected by other streams coming on or off line.



### APPLICATION

The MMADP is primarily used within the Natural Gas industry to supply up to four different analyzers with low pressure gas samples from a single source.



Natural Gas

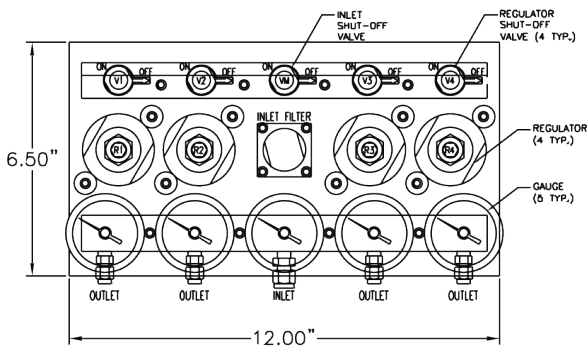
### FEATURES

- Modular design
- Inlet filter and gauge
- Up to four (4) pressure regulated outlets with gauges
- Integral valving
- Regulator kit

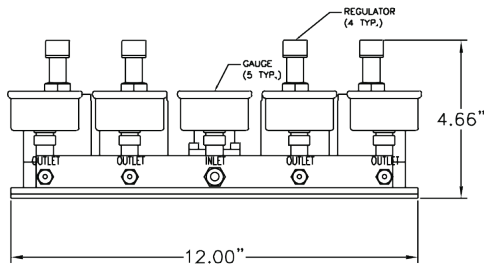
### BENEFITS

- Securely fits inside a heated cabinet
- Easy to install, maintain, and troubleshoot
- Provides four individual outlet pressures with one single inlet pressure

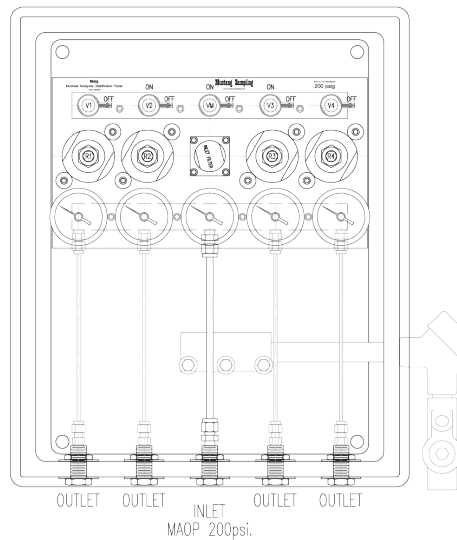
## PRODUCT DIMENSIONS



Front View



Bottom View



Optional Enclosure

## Analytically Accurate<sup>®</sup> TECHNOLOGY

## PRODUCT SPECIFICATIONS

Maximum Allowable Working Pressure	200 psig (14 bar)
Temperature Range	225°F (107°C)
Port Sizes	1/8" female NPT
Wetted Materials	Machined parts: 316 stainless steel/NACE compliant All other metal parts: stainless steel/NACE compliant
Electrical Enclosure Classification*	Class 1, Division 1, Group D
Cabinet Construction*	Hotpressed Glass Fiber Reinforced Polyester
Heating Components*	50 watt self-limiting block heater
Regulator	Mustang <sup>®</sup> Regulator (up to 4)
Outlet Pressure Range	0-10 (0-0.69 bar) 0-25 (0-1.72 bar) 0-50 (0-3.45 bar) 0-100 (0-6.89 bar)
Seal	Neoprene
Coating	Uncoated Sulfinert <sup>®</sup> inert silicon coating
Input Supply Voltage Options*	120 VAC 240 VAC 24 VDC

Use the bold alpha-numeric characters from the table above to build your model number:

\*OPTIONAL - This item is only specified with the electrical enclosure option.



### About Mustang Sampling

Mustang Sampling, LLC is the innovator of Analytically Accurate<sup>®</sup> solutions within sample conditioning systems. We provide custom solutions of products and services globally to the Natural Gas, Natural Gas Liquids (NGL), and Liquefied Natural Gas (LNG) industries. Mustang Sampling continues to pioneer integrated control systems, allowing our customers to maintain phase stability from sample extraction at the source through sample analysis. Our products are continuously improved and subjected to the highest quality standards which provides our customers with the best sample conditioning solutions.

Mustang Sampling, LLC  
43 Ritmore Glen  
Ravenswood, WV 26164  
P: +1 304 273 5357  
F: +1 304 273 2531

info@MustangSampling.com  
www.MustangSampling.com

Copyright © 2017-2020 Mustang Sampling.

All rights reserved. Mustang Sampling<sup>®</sup>, Mustang<sup>®</sup>, MMADP<sup>®</sup> and Analytically Accurate<sup>®</sup> are registered trademarks of Mustang Sampling, LLC. Sulfinert<sup>®</sup> is a registered trademark of SilcoTek.

No part of this publication may be reproduced in any material form without the written permission of Mustang Sampling, LLC.

MS-CSMMADP.v9-EN-P November 2020  
Supersedes: MS-CSMMADP.v8-EN-P